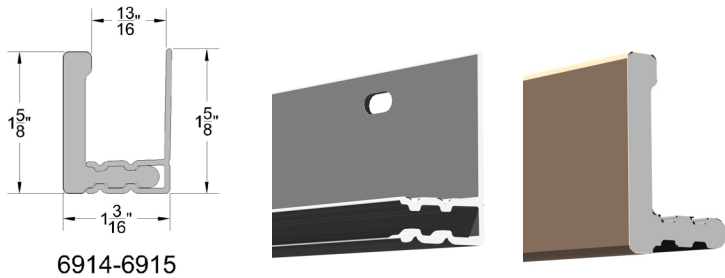


1-1/2" Perimeter (6914 Color-Matched) with Receiver (6915) Trim Installation Instructions



6914-6915



GENERAL INFORMATION

- Check local building codes before installation.
- Before proceeding, read all instructions for both Everlast siding and appropriate pocketed trim products.
- All pocketed trim used with Everlast siding must have a minimum pocket width of 3/4" and pocket depth of 5/8". The trim must be installed prior to installing Everlast siding.
- Do NOT install Everlast siding or Everlast trim in temperatures below 0° F.
- Inspect siding and trim for any breakage, foreign objects, surface defects, color consistency and correctness. Do NOT install questionable product.
- Use a fine tooth or vinyl saw blade to cut all material.
- Fasten material using an exterior grade nail or screw. (Recommended: galvanized/stainless/non-corrosive roofing nail or screw).
- Fasten trim through every other or every third nail hole, making sure the trim aesthetically looks good on the wall. Do not over drive the fastener--fastening too tight may cause distortion in the trim.
- To keep miter and butt joint ends tight, it is recommended to use a PVC glue or plastic weld to bond together.
- Use a glue accelerator to speed up the cure time.

JOB SITE STORAGE

- Do NOT stack siding or trim more than 3 skids high.
- Do NOT store bundles in a vertical position.

BEST PRACTICE

- Siding or trim should be stored inside when possible.
- Always avoid storing in direct sunlight, product should be covered and protected prior to installation using a tarp and/or supplied shroud. Keep siding away from heat sources.
- When product is stored outside use wood (or equivalent) supports to avoid direct contact with the ground in conjunction with covering.

PREPARING WALLS

- Everlast siding and trim must be installed over flat and level exterior walls with either 16" or 24" on-center framing.
- Everlast siding serves as a rain screen, not a weather-resistant barrier. Therefore, it must be installed over a weather-resistant barrier.
- Properly flash around all windows, doors, rake boards, chimneys, and areas of transition between dissimilar materials.
- If installing over concrete block, poured concrete, or brick, siding must be installed over 1" x 3" furring strips.

BEST PRACTICE

If exterior walls are not flat or level, a quality underlayment should be installed first to create a flat and level surface.

COMMON APPLICATIONS

- Perimeter Trim is typically used for Board and Batten Install, Inside Corners, Soffit/Eave Terminations, Transitions

LENGTHS

- 12'6"

COLOR

- 15 standard Everlast colors

1-1/2" Perimeter (6914 Color-Matched) with Receiver (6915) Trim Installation Instructions

INSTRUCTIONS (Inside Corners)

1. Measure the height of the inside corner wall.
2. Cut two trim receivers using a power saw with a fine tooth or PVC blade.
3. To achieve a uniform inside corner, install a 1" x 1" block along the height of the wall (Fig. 1).
4. Place the trim receiver against the block and on the wall. Fasten every 8" to 12" along the nail hem making sure the receiver is securely fastened using galvanized, stainless, or corrosion resistant nails or screws (Fig. 2).
5. Install Everlast lap or board and batten siding per the siding installation instructions.
6. Measure and cut the perimeter trim and snap into the receiver.
7. For additional detail, please visit <https://www.everlastsiding.com/quick-guide-installation-videos>

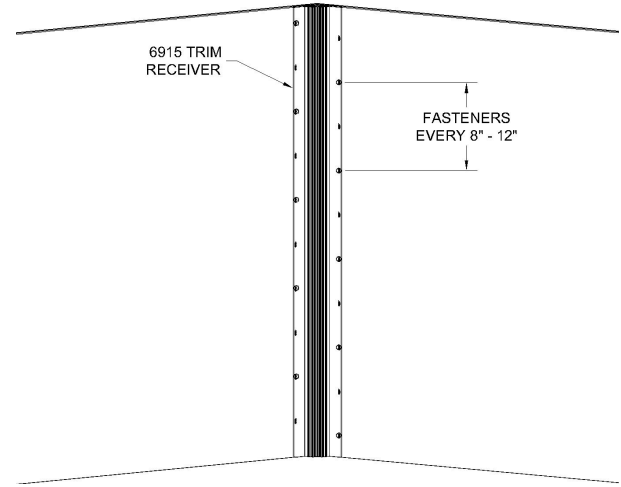


Fig. 2

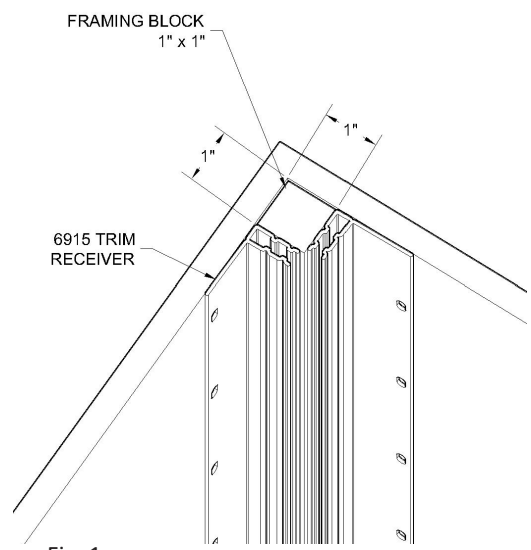


Fig. 1

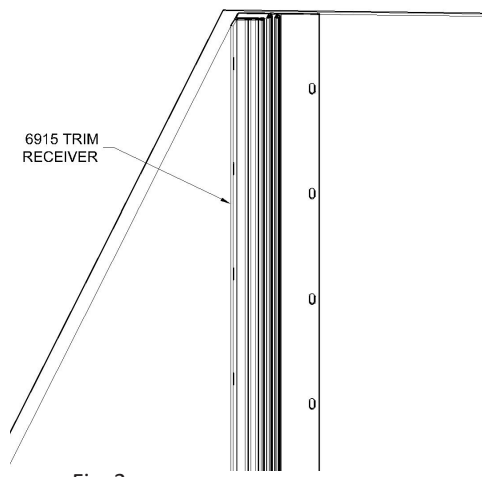


Fig. 3

INSTRUCTIONS

(Soffit/Eave Terminations and Transitions)

1. Before the last piece of Everlast siding is installed, measure the length of the termination or transition area
2. Cut the trim receiver using a power saw with a fine tooth or PVC blade
- 2a. In situations where the termination or transition exceeds 12', the conjoining trim receivers can be straight miter cut and butted together
3. Fasten the trim receiver to the wall approximately every 8" to 12" along the nail hem making sure the receiver is securely fastened using galvanized, stainless, or corrosion resistant nails or screws (Fig. 1)
4. Install the last piece/course of siding per the installation instructions. Use required seam brackets on courses exceeding 12'. No face nailing is required; panel fasteners will net at the top of the panel. (Fig. 2)
5. Measure and cut the perimeter trim and snap into the receiver (Fig. 3)
6. For additional detail, please visit <https://www.everlastsiding.com/quick-guide-installation-videos>

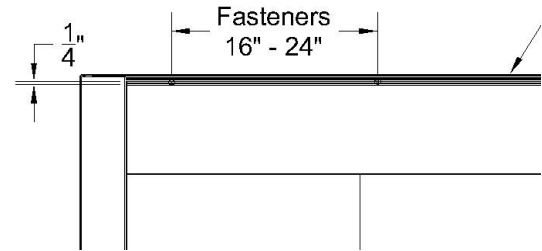


Fig. 2

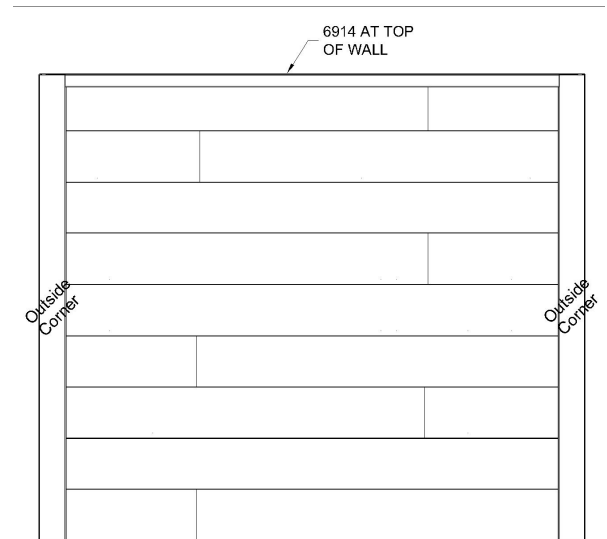


Fig. 3

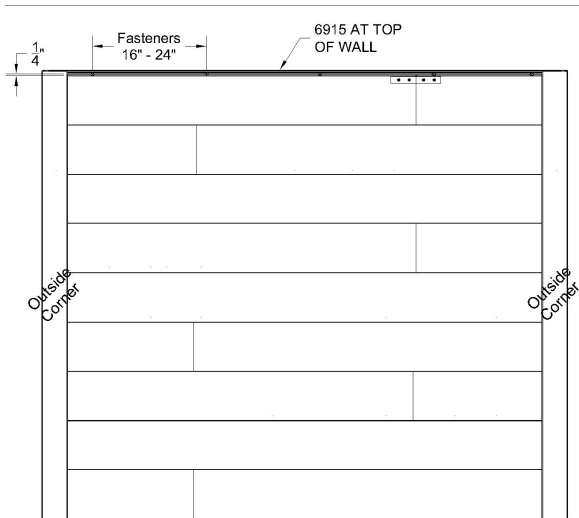


Fig. 1



For a video installation tutorial, visit [EverlastSiding.com/ProResources](https://www.everlastsiding.com/ProResources).

