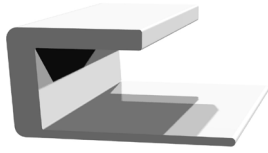
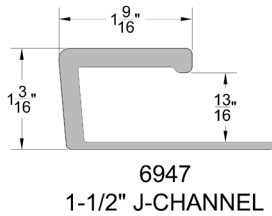


1-1/2" J Channel (6947 Color-Matched) Trim Installation Instructions



GENERAL INFORMATION

- Check local building codes before installation.
- Before proceeding, read all instructions for both Everlast siding and appropriate pocketed trim products.
- All pocketed trim used with Everlast siding must have a minimum pocket width of 3/4" and pocket depth of 5/8". The trim must be installed prior to installing Everlast siding.
- Do NOT install Everlast siding or Everlast trim in temperatures below 0° F.
- Inspect siding and trim for any breakage, foreign objects, surface defects, color consistency and correctness. Do NOT install questionable product.
- Use a fine tooth or vinyl saw blade to cut all material.
- Fasten material using an exterior grade nail or screw. (Recommended: galvanized/stainless/non-corrosive roofing nail or screw).
- Fasten trim through every other or every third nail hole, making sure the trim aesthetically looks good on the wall. Do not over drive the fastener--fastening too tight may cause distortion in the trim.
- To keep miter and butt joint ends tight, it is recommended to use a PVC glue or plastic weld to bond together.
- Use a glue accelerator to speed up the cure time.

JOB SITE STORAGE

- Do NOT stack siding or trim more than 3 skids high.
- Do NOT store bundles in a vertical position.

BEST PRACTICE

- Siding or trim should be stored inside when possible.
- Always avoid storing in direct sunlight, product should be covered and protected prior to installation using a tarp and/or supplied shroud. Keep siding away from heat sources.
- When product is stored outside use wood (or equivalent) supports to avoid direct contact with the ground in conjunction with covering.

PREPARING WALLS

- Everlast siding and trim must be installed over flat and level exterior walls with either 16" or 24" on-center framing.
- Everlast siding serves as a rain screen, not a weather-resistant barrier. Therefore, it must be installed over a weather-resistant barrier.
- Properly flash around all windows, doors, rake boards, chimneys, and areas of transition between dissimilar materials.
- If installing over concrete block, poured concrete, or brick, siding must be installed over 1" x 3" furring strips.

BEST PRACTICE

If exterior walls are not flat or level, a quality underlayment should be installed first to create a flat and level surface.

COMMON APPLICATIONS

- J Channel Trim is typically used for Window/Door Surround, Inside Corner, Soffit/Eave Terminations, Transitions

LENGTHS

- 12'6"

COLORS

- 15 standard Everlast colors

1-1/2" J Channel (6947 Color-Matched) Trim Installation Instructions

INSTRUCTIONS (Window and Doors)

- 1) Measure the height and width of the window/door.
- 2) 45° miter cut with a fine tooth or PVC blade.
 - a) Optional square cut J-channel can be achieved by running the trim long 1-1/2" on both ends (top/bottom or sides).
 - b) Use an oscillating tool and notch out channel of the trim 1-1/4" for the siding to be accepted within both trim J-channels (Fig. 1 and 2).
- 3) Fasten the J-channel pieces to the wall around the window/door every 8" to 12" along the nail hem making sure the profiles are securely fastened using galvanized, stainless, or corrosion resistant nails or screws (Fig. 3).
- 4) Optional PVC adhesive can be used to join the mitered ends.

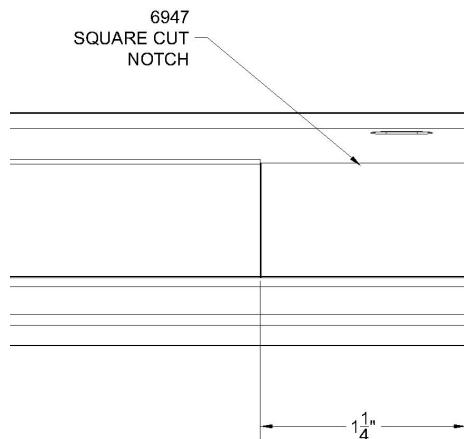


Fig. 1

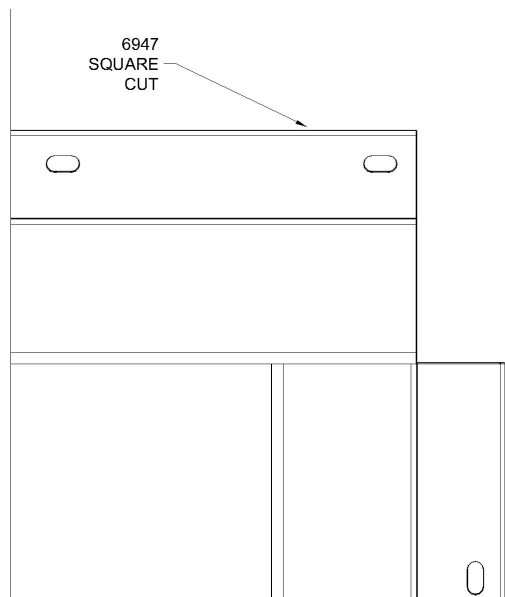


Fig. 2

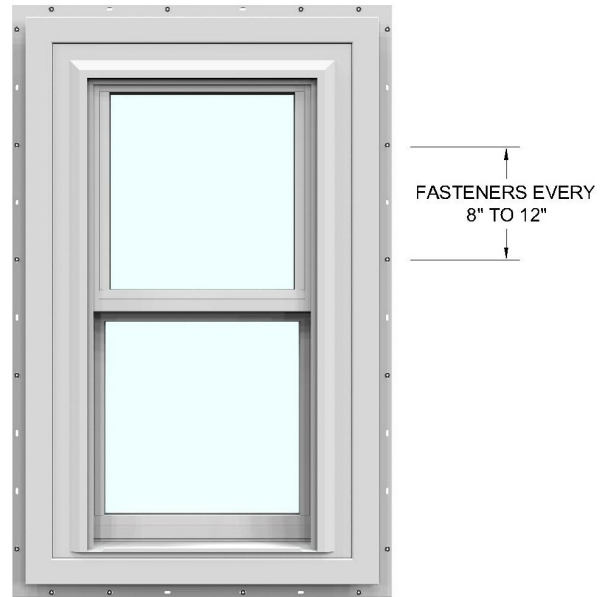


Fig. 3

INSTRUCTIONS (Terminations and Transitions)

- 1) Before the last piece of Everlast siding is installed, measure the length of the termination or transition area.
- 2) Cut the J-channel using a power saw with a fine tooth or PVC blade.
 - (a) 2a. In situations where the termination or transition exceeds 12' 6", the conjoining J-channels can be straight miter cut and butted together.
- 3) Fasten the J-channel to the wall approximately every 8" to 12" along the nail hem making sure the profile is securely fastened using galvanized, stainless, or corrosion resistant nails or screws.
- 4) Install the last piece/course of Everlast siding per the installation instructions.

1-1/2" J Channel (6947 Color-Matched) Trim Installation Instructions

INSTRUCTIONS (Inside Corners)

- 1) Measure the height of the inside corner wall.
- 2) Cut two J-channels using a power saw with a fine tooth or PVC blade.
- 3) To achieve a uniform inside corner, install a 1" x 1" block along the height of the wall (Fig. 1).
- 4) Install the J-channels against the block in the direction of the inside walls. Fasten every 8" to 12" along the nail hem making sure the profiles are securely fastened using galvanized, stainless, or corrosion resistant nails or screws (Fig. 2).
- 5) Screws can be attached inside the pocket into the blocking to keep tight (Fig. 3).
- 6) For additional detail, please visit <https://www.everlastsiding.com/quick-guide-installation-videos>

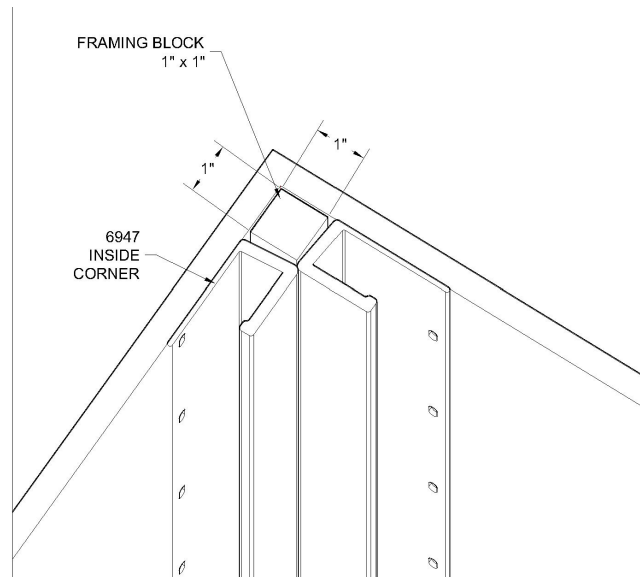


Fig. 1

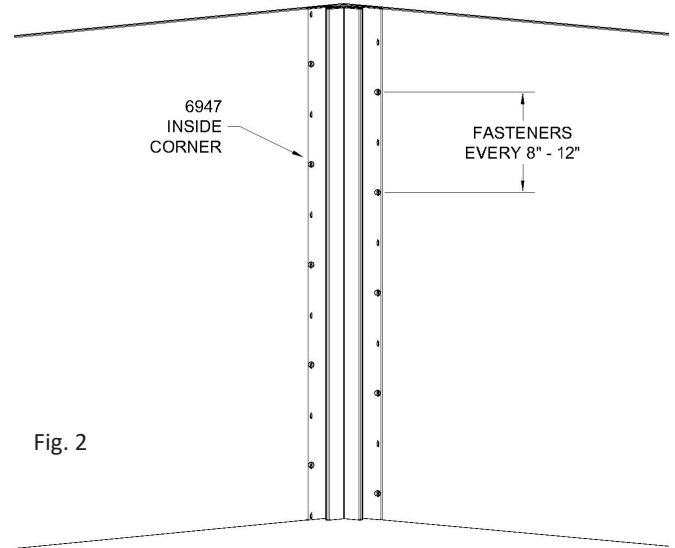


Fig. 2

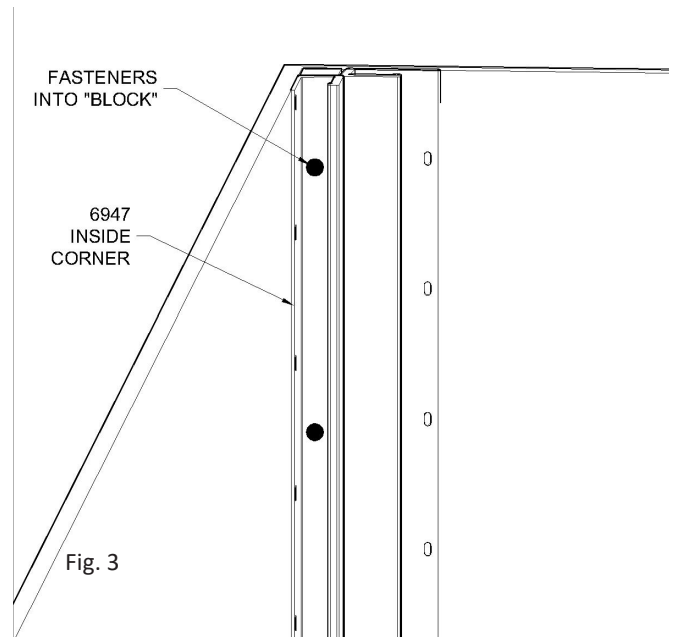


Fig. 3



For a video installation tutorial, visit [EverlastSiding.com/ProResources](https://www.everlastsiding.com/ProResources).

